

ITEM

Accessory

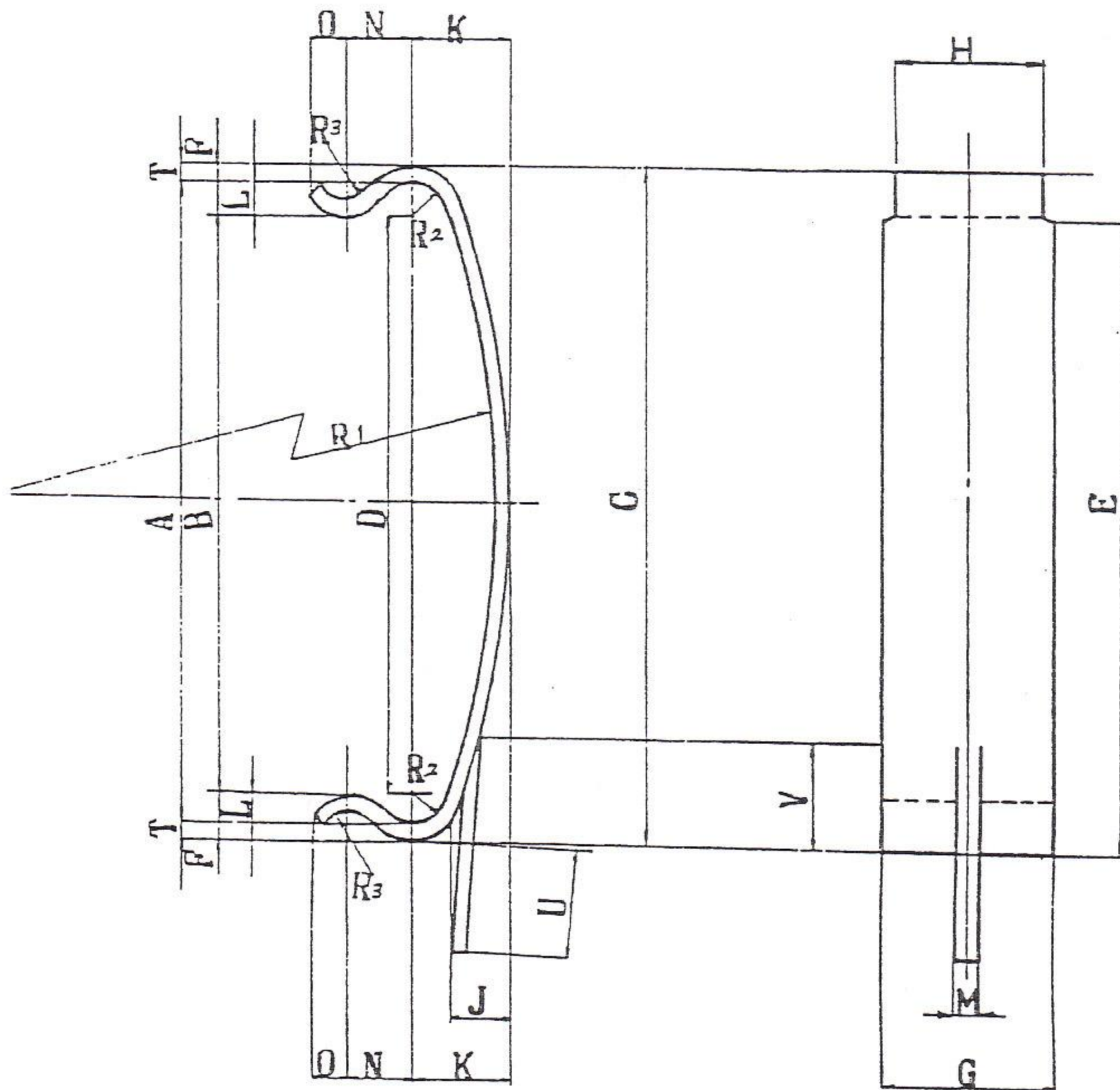
MODEL No.

FRM10-AFR

DWG. No.

IFT-6-2-296(00)

DIMENSION UNIT:mm



A	(16.8)
B	(15.0)
C	(17.6)
D	(15.0)
E	16.5max.
F	(7.30)
G	(4.45)
H	(3.85)
J	(1.6)
K	(2.5)
L	(0.85)
M	(0.7)
N	(1.6)
O	(0.9)
T	(0.4)
U	(2.794)
V	(3.0)
R <sub>1</sub>	(R25.0)
R <sub>2</sub>	(R0.9)
R <sub>3</sub>	(R0.6)

Material : Stainless steel  
 Solder plated  
 Plating : Sn-Cu(Lead free)